

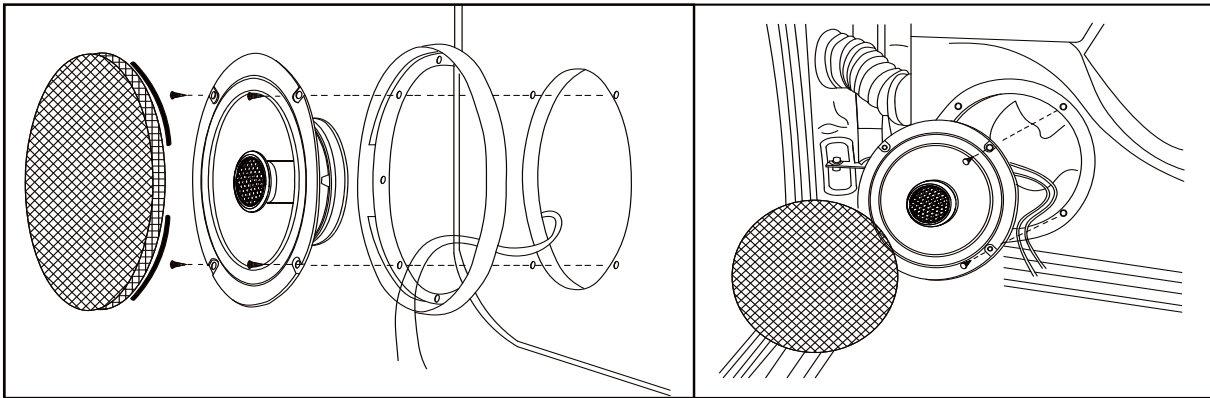
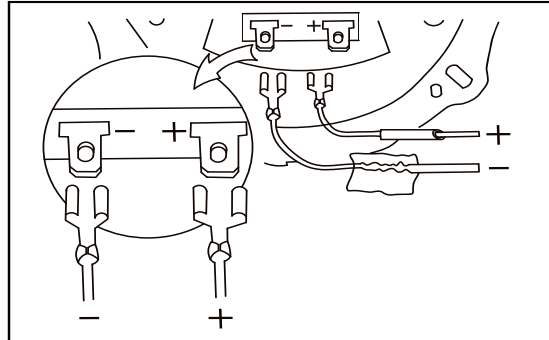
Installation instruction

POUT AND CONNECT THE WIRES

- 1、 Splice speaker wire with existing receiver wire
- 2、 Connect spliced wires to speaker terminals

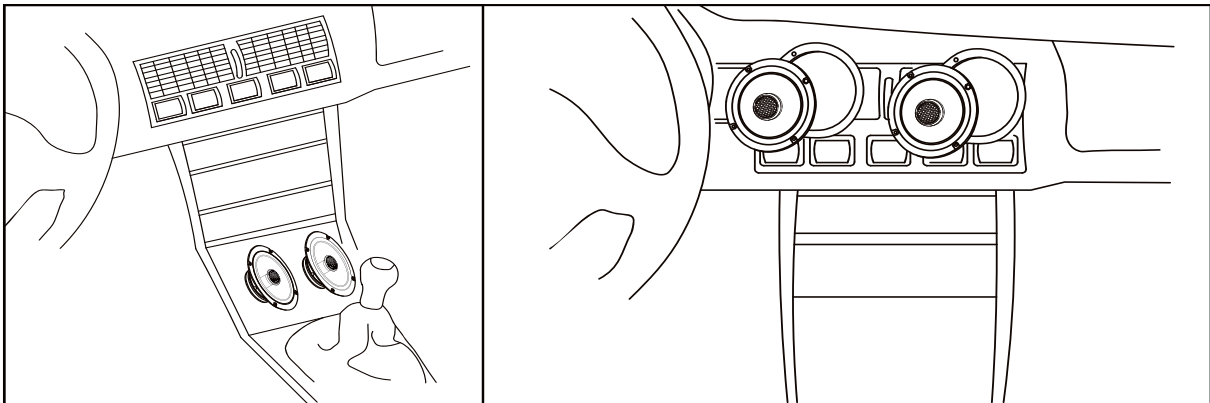
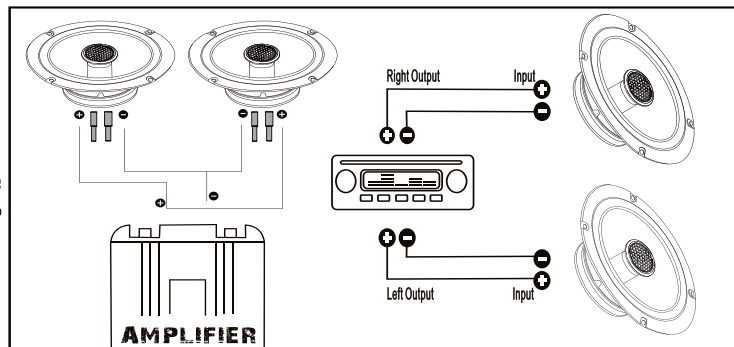
INSTALL THE SPEAKERS

- 3、 Install speaker with screws
- 4、 Be sure all wires are clear of moving parts such as window mechanism and trunk hinges.
- 5、 Use rubber grommets when running wires through sharp edged metal holes

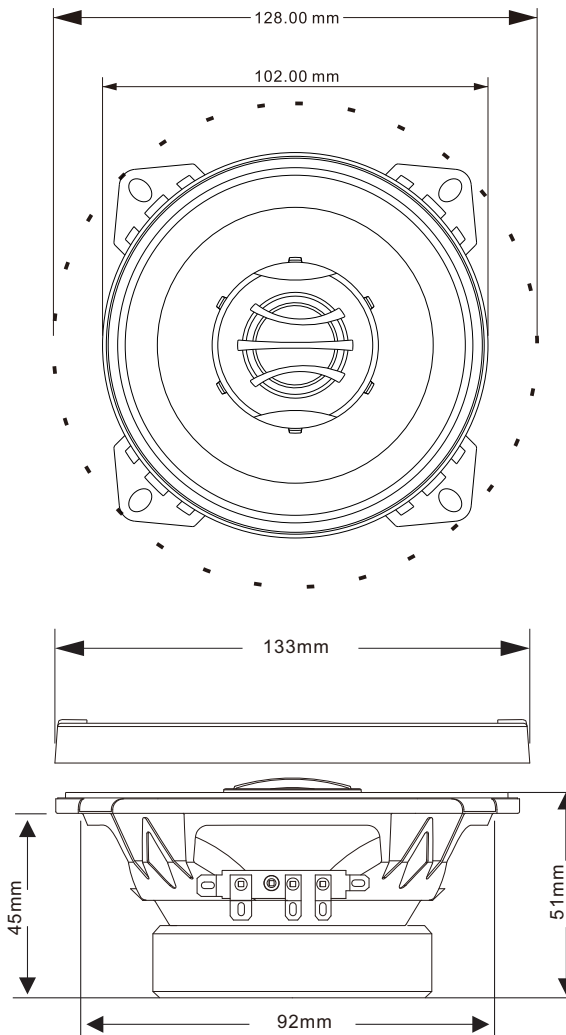


which may wear through the wires insulation.

- 6、 Select a mounting location referring to the “installation Locations”
- 7、 Using the supplied templates ,mark the mounting holes on the door panel or rear deck.
- 8、 Drill or cut the required holes as needed.
- 9、 Install the units as illustrated in the diagram.



■ Specifications



STCX42

- Two-way coaxial speaker
- 4" Rubber with polypropylene with mica injection woofer
- 90Watts Peak power(30Watts RMS)
- 25mm 4Ω Impedance ASV voice coil
- Magnet:70mm(6Oz)
- 20mm Silk dome tweeter
- Sensitivity: 86dB(2.83V/1M)
- Frequency response:70-20000Hz