

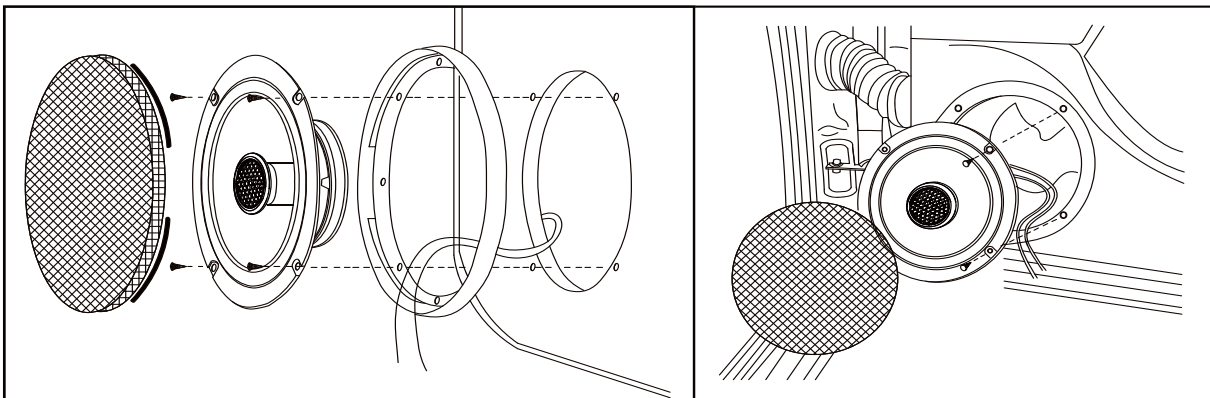
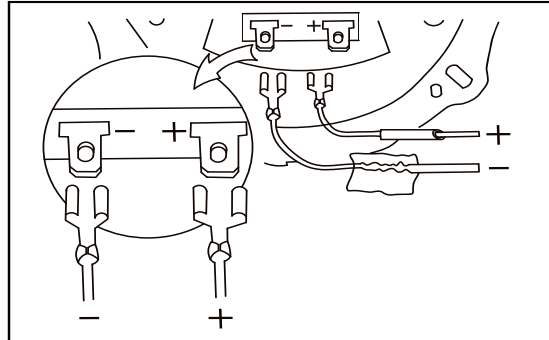
Installation instruction

POUT AND CONNECT THE WIRES

1. Splice speaker wire with existing receiver wire
2. Connect spliced wires to speaker terminals

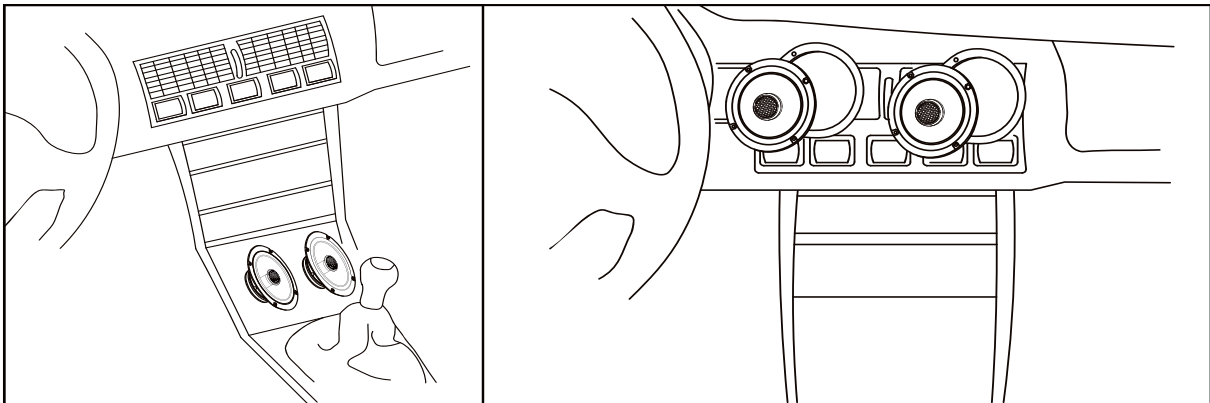
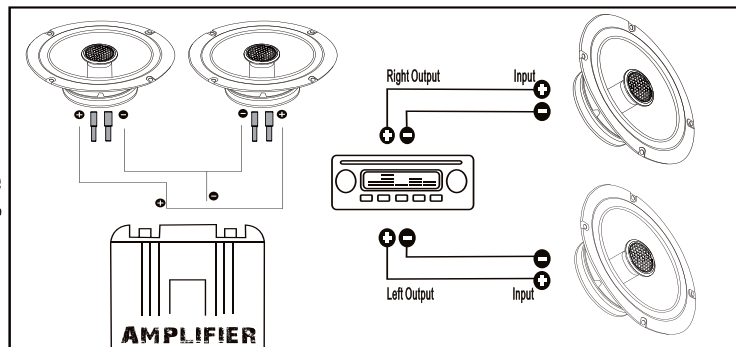
INSTALL THE SPEAKERS

3. Install speaker with screws
4. Be sure all wires are clear of moving parts such as window mechanism and trunk hinges.
5. Use rubber grommets when running wires through sharp edged metal holes

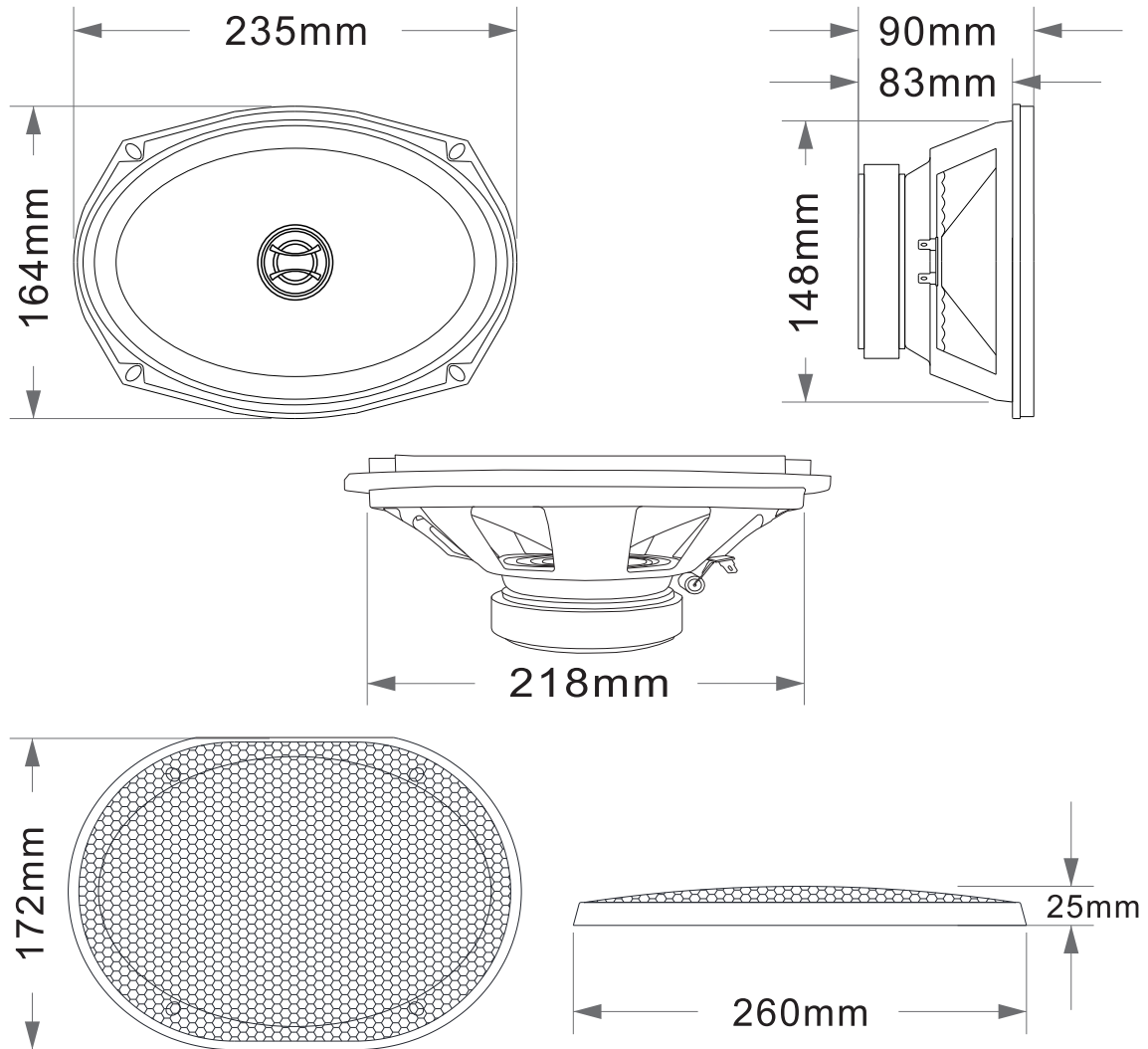


which may wear through the wires insulation.

6. Select a mounting location referring to the "installation Locations"
7. Using the supplied templates, mark the mounting holes on the door panel or rear deck.
8. Drill or cut the required holes as needed.
9. Install the units as illustrated in the diagram.



■ Specifications



STCX 6X9

- Two-Way Coaxial Speaker
- 6x9" Rubber with polypropylene with mica injection woofer
- 260Watts Peak Power (85Watts RMS)
- 30mm 4Ω Impedance ASV Voice Coil
- Magnet:100mm(18 Oz)
- 20mm Silk dome tweeter
- Sensitivity:90dB(2.83V/1M)
- Frequency Response:60-22000H