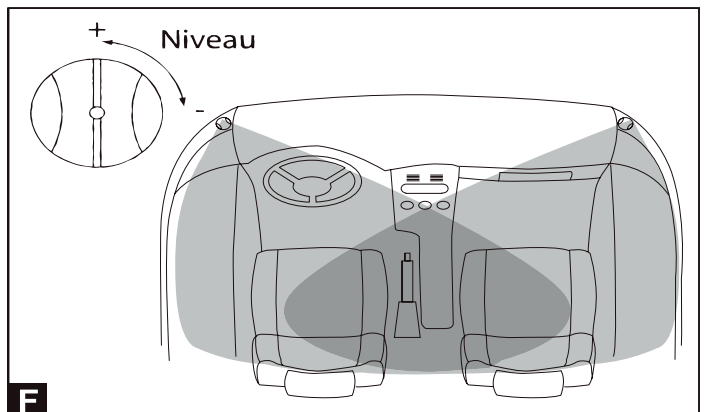
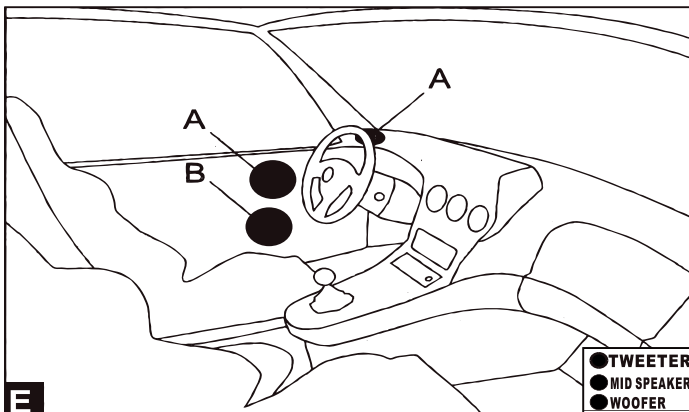
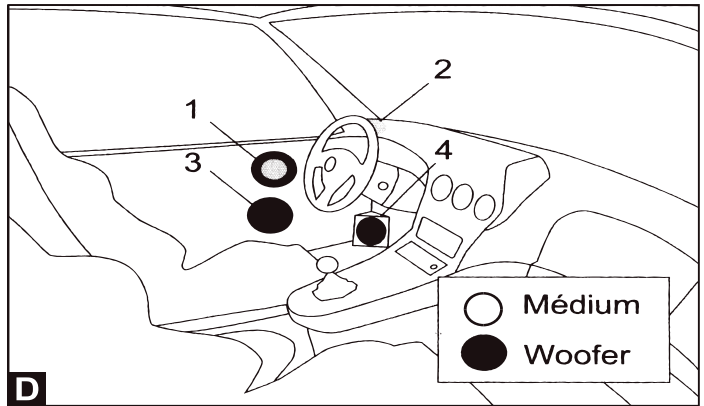
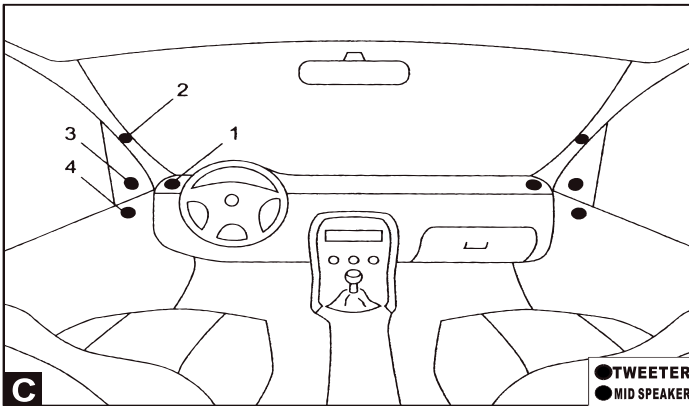
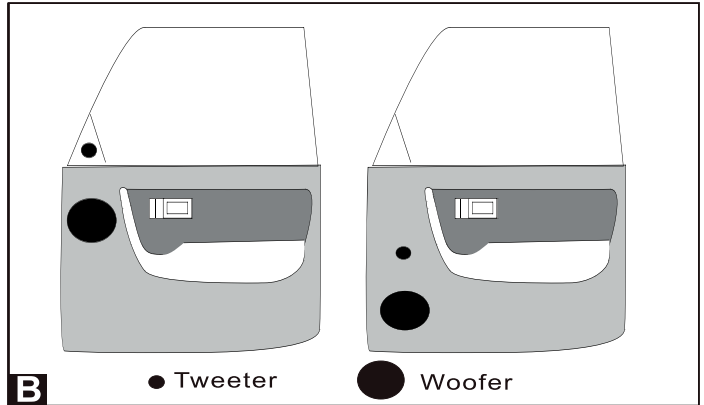
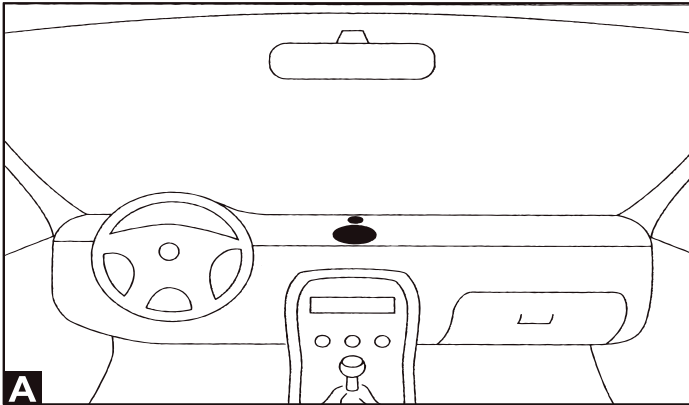
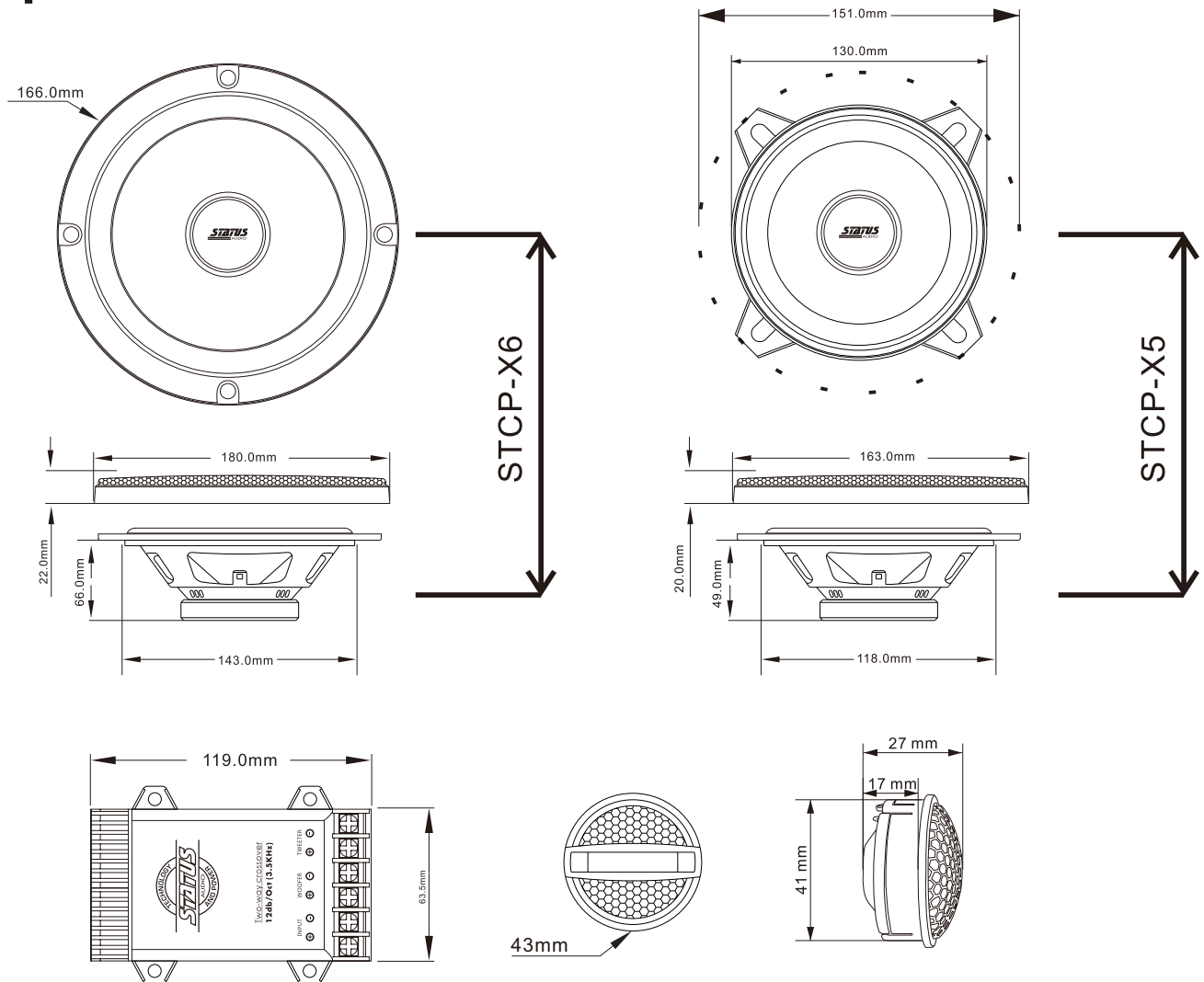


Installation instruction



NOTE: Before permanent installation, your new speakers should advise to hook up the up the wires to the correct terminals and make sure sure your stereo is operating properly. Please refer to your receiver's owner's manual for proper hook-up.

Specifications



STCP-X6

- Two-way component speaker
- 6.5" Rubber with paper con woofer
- 160 Watts Peak power(80 Watts RMS)
- 25mm 4 Ohms Impedance ASV voice coil
- Magnet:85mm(14 Oz)
- 1" Silk dome tweeter
- Frequency:55-20000Hz
- SPL 90dB(2.83V/1M)
- Two-way crossover 12dB/Oct(3.5KHz)

STCP-X5

- Two-way component speaker
- 5.25" Rubber with paper con woofer
- 140 Watts Peak power(60 Watts RMS)
- 25mm 4 Ohms Impedance ASV voice coil
- Magnet:76mm(11 Oz)
- 1" Silk dome tweeter
- Frequency:55-20000Hz
- SPL 87dB(2.83V/1M)
- Two-way crossover 12dB/Oct(3.5KHz)